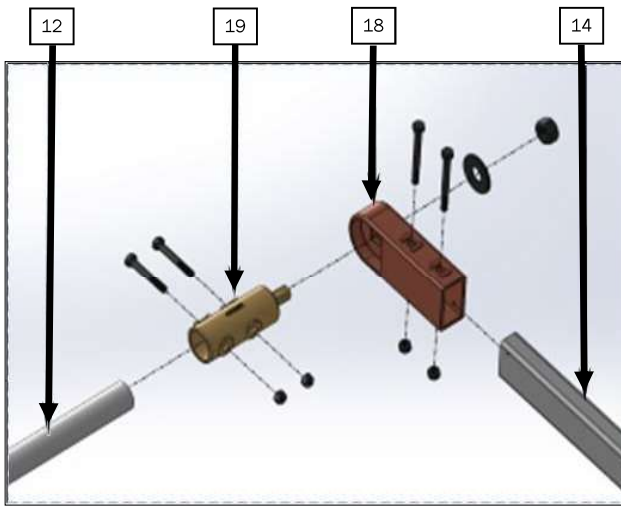
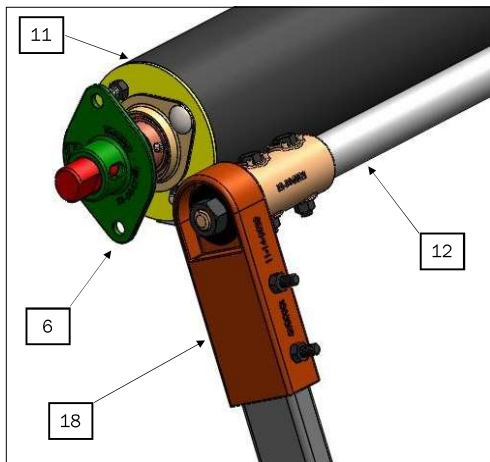
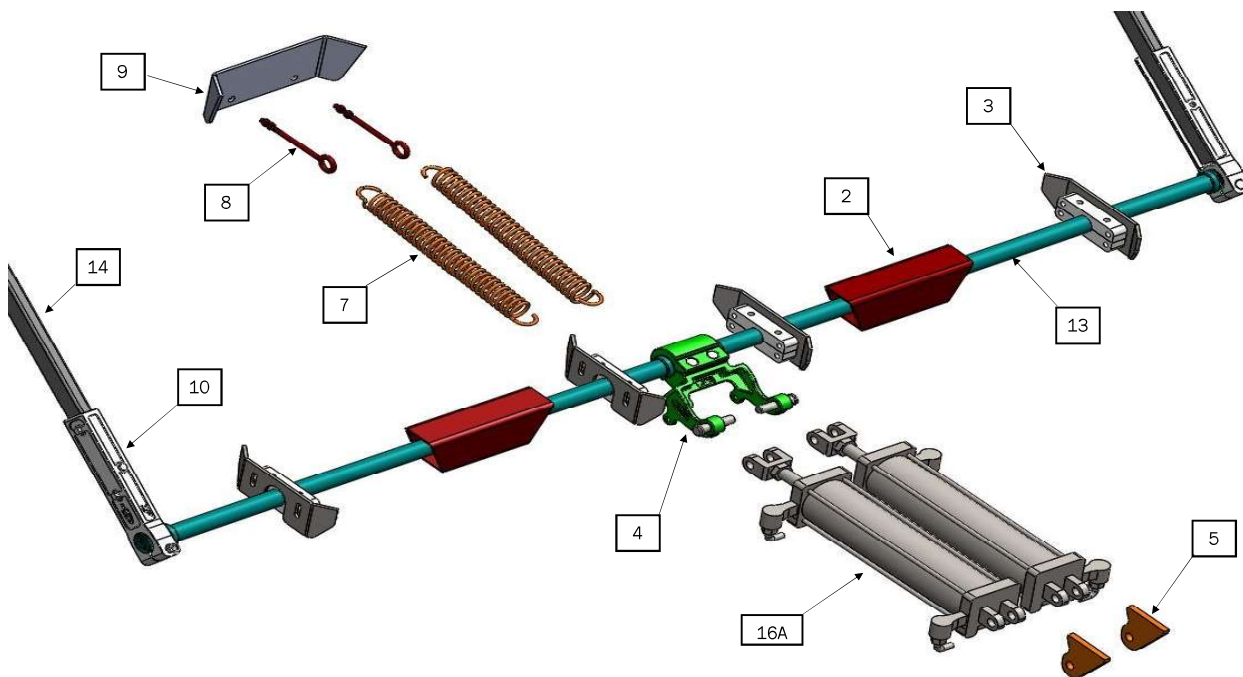


S SERIES



AIR TARP CORNER BRACE

AIR TARP SYSTEM NEW MODEL



5291, Chemin du lac, St-Gabriel-de-Brandon (Québec) J0K 2N0 450-835-1777

lanau-industries.com



S SERIES

AIR TARP SYSTEM NEW MODEL



5291, Chemin du lac, St-Gabriel-de-Brandon (Québec) J0K 2N0 450-835-1777

lanau-industries.com



S SERIES

AIR TARP SYSTEM NEW MODEL

2) Sill Tubes S Series		CANAM #
	3" X 4" X 1/4" X 12 1/2"	DU1083
3) Square Tube Support		
3A	Air Tarp Square Tube Support UHMW	DU1078S
3B	Air Tarp Square Tube Support Complete Set	DU1078
4) Air Tarp Transversal to Cylinder Attachment		
		DU1074-3
5) Air Tarp Cylinder Rod End Mount		
		DU1082
6) Air Tarp Roller Support Flange		
		DU1079
7) Tarp Spring		
		DU1034
8) Eye Bolt		
	1/2 in X 8 in LG.	DU1035
9) Air Tarp Cylinder Spring Bracket		
		DU1080
10) Air Tarp Arm Holder		
		DU1076
11) Air Tarp Roller Spring S Series		
	AIR TARP ROLLER TUBE 99 in STANDARD	DU1072
12) Rear Tarp Tube (Steel)		
	STEEL ROLLER TUBE 1 1/4" X 105" X 1/8"	DU1039
13) Air Tarp Transversal Arm S Series (One Side)		
	SHAFT 1 1/2" WITH SPLINE (2)	DU1074-2
14) Air Tarp Holder		
12 ft	(1) 12' Tarp Arm - Steel	DU1168
12 ft	(1) Air Tarp Arm - Aluminum	DU1076AL
15) TARP		
	83" x 23' Black Dump Tarp Mesh	DU1031A
16) AIR CYLINDER		
16A	4 in Dia x 16 in Stroke-250 psi (1 CYLINDER ONLY)	DU1051
16B	FITTINGS KIT FOR 4 X 16 CYLINDER	
17) Air Tarp Dual Action Valve		
		DU1081
18) Corner Brace for Tarp Roller Tube 2 x1		
		DU1152
19) Corner Brace for Tarp Roller Tube Transversal		
		DU1153
20) Rear Tarp Tube Flat Bar		
	3/16 in x 3/4 in x 83 in	DU1039-2
21) Tarp Arm Rubber 1-1/8		
	RUBBER FOR POLE 1 1/8"	DU1113